

## Entry-level IP Phone with 1 Line

The SIP-T19(P) E2 is one of Yealink's latest answers for the entry-level IP phone that offers features and performance normally associated with much more advanced phones. The quite intentional choice of high-quality materials, combined with a generously large 132x64-pixel graphical LCD that gives a clear 5-line display, guarantees both a smoother user experience and easier access to much more visual information at a glance. Dual 10/100 Mbps network ports with integrated PoE makes SIP-T19P E2 an ideal choice for extended network use. The SIP-T19(P) E2 supports single VoIP account, simple, flexible and secure installation options, plus IPv6 and SRTP/HTTPS/TLS, VLAN and QoS. It includes headset use, wall-mountable and has been designed very specifically for better business.



### Key Features and Benefits

#### Enhanced Call Management

The SIP-T19(P) E2 supports vast productivity-enhancing features such as XML Browser, call park, call pickup, call forward, call transfer, 3-way conference, which makes it the natural and obvious efficiency tool for today's busy small and large offices environment.

#### Efficient Installation and Provisioning

The Yealink SIP-T19(P) E2 supports efficient provisioning and effortless mass deployment with Yealink's Redirection and Provisioning Service (RPS) and Boot mechanism to help you realize the Zero Touch Provisioning without any complex manual settings, which makes the SIP-T19(P) E2 simple to deploy, easy to maintain and upgrade.

#### Highly Secure Transport and Interoperability

The communicator uses SIP over Transport Layer Security (TLS/SSL) to provide service providers with the latest technology for enhanced network security. The range is certified compatible with 3CX and Broadsoft Broadworks, ensuring excellent compatibility with leading soft switch suppliers.

- > 132x64-pixel graphical LCD
- > Two-port 10/100 Ethernet Switch
- > PoE support (T19P E2)
- > Opus codec support
- > Up to 1 SIP account
- > Headset support
- > Wall mountable
- > Simple, flexible and secure provisioning options

### Audio Features

- > Codec: AMR-WB (optional), Opus, G.722, G.711(A/μ), G.729AB, G.726, iLBC
- > DTMF: In-band, Out-of-band (RFC 2833) and SIP INFO
- > Full-duplex hands-free speakerphone with AEC
- > VAD, CNG, AEC, PLC, AJB, AGC

### Phone Features

- > 1 VoIP account
- > Call hold, mute, DND
- > One-touch speed dial, hotline
- > Call forward, call waiting, call transfer
- > Group listening, SMS
- > Redial, call return, auto answer
- > Local 3-way conferencing
- > Direct IP call without SIP proxy
- > Ring tone selection/import/delete
- > Set date time manually or automatically
- > Dial plan
- > XML Browser, action URL/URI
- > Integrated screenshots
- > RTPC-XR, VQ-RTPCXR
- > Enhanced DSS Key

### Directory

- > Local phonebook up to 1000 entries
- > Black list
- > XML/LDAP remote phonebook
- > Smart dialing
- > Phonebook search/import/export
- > Call history: dialed/received/missed/forwarded

### IP-PBX Features

- > Anonymous call, anonymous call rejection
- > Hot-desking, emergency call
- > Message Waiting Indicator (MWI)
- > Voice mail, call park, call pickup
- > Intercom, paging, music on hold
- > Call completion
- > Flexible seating
- > Executive and Assistant
- > Centralized call recording
- > Visual Voice Mail

### Display and Indicator

- > 132x64-pixel graphical LCD
- > LED for call and message waiting indication
- > Intuitive user interface with icons and soft keys
- > Multilingual user interface
- > Caller ID with name and number
- > Power saving

### Feature Keys

- > 6 features keys: message, headset, redial, transfer, mute, hands-free speakerphone
- > 5 navigation keys
- > Volume control keys

### Interface

- > 2 x RJ45 10/100M Ethernet ports
- > Power over Ethernet (IEEE 802.3af, class 2 (T19P E2))
- > 1 x RJ9 (4P4C) handset port
- > 1 x RJ9 (4P4C) headset port

### Other Physical Features

- > Color: Space Grey
- > Wall mountable
- > External Yealink AC adapter: AC 100~240V input and DC 5V/600mA output
- > Power consumption (PSU): 0.9-1.3W
- > Power consumption (PoE): 1.2-1.8W (T19P E2)
- > Dimension (W\*D\*H\*T): 185mm\*188mm\*143mm\*38mm
- > Operating humidity: 10~95%
- > Operating temperature: -10~50°C (+14~122°F)

### Management

- > Configuration: browser/phone/auto-provision
- > Auto provision via FTP/TFTP/HTTP/HTTPS for mass deploy
- > Auto-provision with PnP
- > Zero-sp-touch, TR-069
- > Phone lock for personal privacy protection
- > Reset to factory, reboot
- > Package tracing export, system log

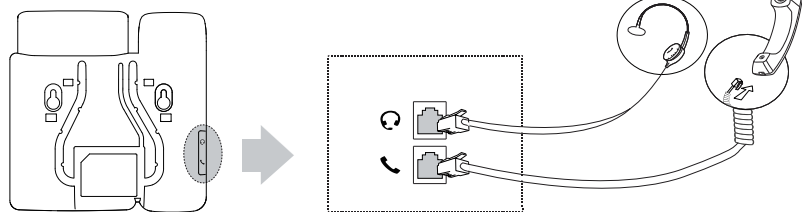
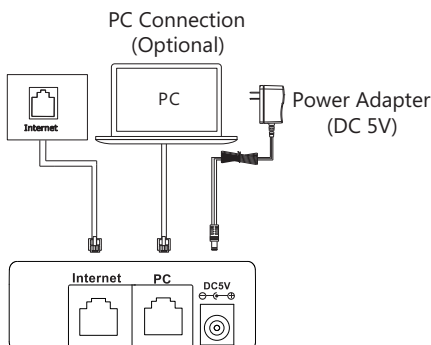
### Network and Security

- > SIP v1 (RFC2543), v2 (RFC3261)
- > Call server redundancy supported
- > NAT traversal: STUN mode
- > Proxy mode and peer-to-peer SIP link mode
- > IP assignment: static/DHCP
- > HTTP/HTTPS web server
- > Time and date synchronization using SNTP
- > UDP/TCP/DNS-SRV (RFC 3263)
- > QoS: 802.1p/Q tagging (VLAN), Layer 3 ToS DSCP
- > SRTP for voice
- > Transport Layer Security (TLS)
- > HTTPS certificate manager
- > AES encryption for configuration file
- > Digest authentication
- > IEEE802.1X
- > IPv6
- > LLDP/CDP/DHCP VLAN
- > ICE

### Package Features

- > Package content:
  - Yealink SIP-T19P E2 IP phone
  - Handset with handset cord
  - Ethernet Cable (1.5m CAT5E UTP Cable)
  - Stand
  - Quick Start Guide
  - Power Adapter: T19 E2 (Standard)/T19P E2 (Optional)
- > Qty/CTN: 10 PCS
- > N.W/CTN: 9.8 kg
- > G.W/CTN: 10.8 kg
- > Giftbox size: 215mm\*200mm\*121mm
- > Carton Meas: 630mm\*436mm\*210mm

### Compliance





### **About Yealink**

Yealink is a global leading provider of enterprise communication and collaboration solutions, offering video conferencing service to worldwide enterprises. Focusing on research and development, Yealink also insists on innovation and creation. With the outstanding technical patents of cloud computing, audio, video and image processing technology, Yealink has built up a panoramic collaboration solution of audio and video conferencing by merging its cloud services with a series of endpoints products. As one of the best providers in more than 140 countries and regions including the US, the UK and Australia, Yealink ranks No.1 in the global market share of SIP phone shipments.

### **Copyright**

Copyright © 2018 YEALINK(XIAMEN) NETWORK TECHNOLOGY CO., LTD.

Copyright © 2018 Yealink(Xiamen) Network Technology CO., LTD. All rights reserved. No parts of this publication may be reproduced or transmitted in any form or by any means, electronic or mechanical, photocopying, recording, or otherwise, for any purpose, without the express written permission of Yealink(Xiamen) Network Technology CO., LTD.

### **Technical Support**

Visit Yealink WIKI (<http://support.yealink.com/>) for firmware downloads, product documents, FAQ, and more. For better service, we sincerely recommend you to use Yealink Ticketing system (<https://ticket.yealink.com>) to submit all your technical issues.

Distributed by:



E-mail: [sales@pulsesupply.com](mailto:sales@pulsesupply.com)  
<https://www.pulsesupply.com/yealink>