

Data Sheet

R500-PLTE



The R500-PLTE router with the Cradlepoint NetCloud Service for IoT is a purpose-built, low-cost User Equipment (UE) networking solution with industry-leading features for Private Cellular Networks (PCN). It is a compact, ruggedized solution for deployments in manufacturing, distribution, transportation, education, and others taking advantage of the lower fixed operating costs, enhanced data security, and improved network performance a PCN provides.

Notable Features

- Deploy a competitively priced value-driven Private LTE (PLTE) networking solution with industry-leading features
- Define policies through centralized cloud-based management for easy deployment at scale
- Use an FCC Part 96 authorized end-user device for Band 48 OnGo CBRS networks
- Install a compact and ruggedized router in a wide range of environments where connectivity must be reliable
- Deploy Wave 2 dual-band, dual-concurrent Gigabit Wi-Fi for the best possible connections
- Add a second cellular modem, with an Extensibility Dock, for multi-link capability to both the private and public network
- Expand with custom solutions using GPIOs, NetCloud SDK and API, and NetCloud Edge Connector for Azure IoT Central

Ideal for Private Cellular Networks

The R500-PLTE is purpose built for PCN deployments. It is an FCC Part 96 authorized end-user device for Band 48 OnGo CBRS networks providing a competitively priced compact and ruggedized PCN UE solution. The R500-PLTE accommodates a wide range of environments while delivering enterprise-class standards of reliability, scalability, comprehensive management, and security.

Ruggedized IoT Solution

The R500-PLTE includes advanced connectivity options with a Cat 7 LTE-Advanced modem, gigabit Ethernet, Wi-Fi 5, GPIO ports, and GPS. It provides a ruggedized enterprise class networking platform that can be confidently deployed in environments such as smart cities, mining, oil and gas, shipping ports and logistics, as well as education for students and teachers. Combined with NetCloud Service for IoT, the R500-PLTE delivers complete visibility, security, and control together with health and status alerts on security posture, network conditions, and usage for connected devices anywhere.

Performance

Max Router Throughput

850 Mbps

IPSec VPN Throughput

30 Mbps

Concurrent VPN Tunnels

10

Concurrent Sessions (TCP)

16,000

Typical Client Count

10

Performance testing conducted based on requirements as defined in RFC2544 using fixed-frame 1518 byte packets. Throughput results reflect uni-directional UDP traffic with less than 1% packet loss as tested with wired connections.

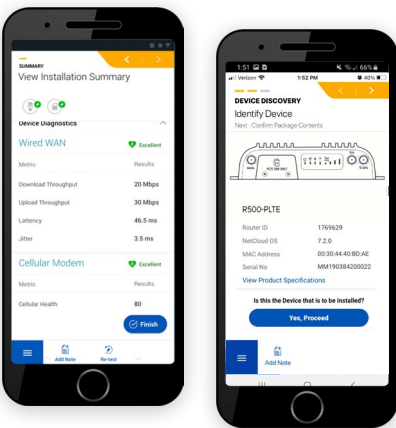
Results do not reflect performance of the cellular wireless operator networks.

Key Software Capabilities

Cradlepoint NetCloud Service provides powerful centralized management for every Cradlepoint cellular-enabled router, including the R500-PLTE. NetCloud Service allows customers to build and manage wireless WANs with complete lifecycle management, zero-touch deployment, robust security, and traffic management for optimal application performance and reliability. The cloud capabilities include group policy definition, reports, troubleshooting, and analytics dashboards. The service includes a warranty for as long as the router has an active subscription, online training, live and online support, and software and firmware updates.

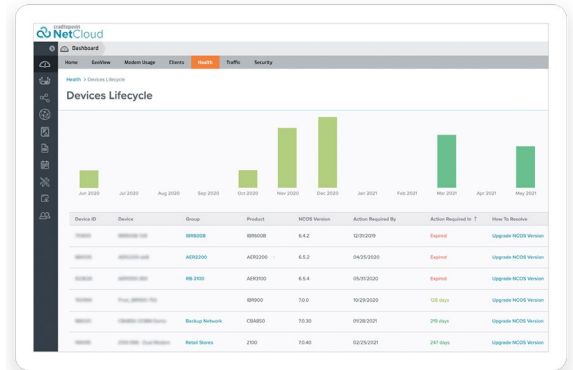
Advanced Software Lifecycle Management

NetCloud improves the typical software lifecycle management process. New features are continuously delivered to the NetCloud Service and available for the router without interrupting network performance. Software versions are tracked for every endpoint, with the latest version just a click away. Straightforward subscription and license management is provided to keep the network running without interruption.



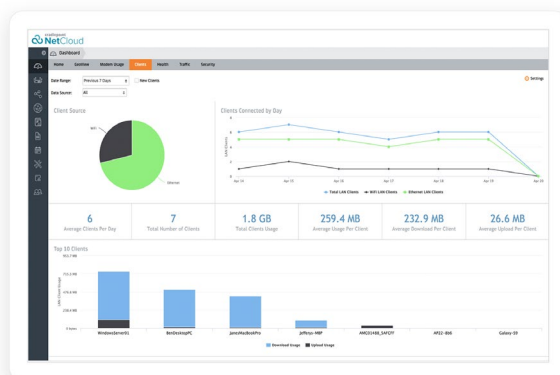
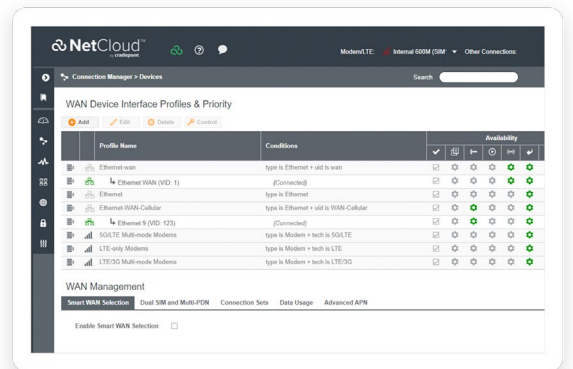
Cradlepoint Verify Mobile Application

As an extension to NetCloud, Cradlepoint Verify is a mobile application that simplifies setting up Cradlepoint endpoints with easy, customized steps specific to the R500 router. Upon a verified installation, users receive a detailed report that includes installation pictures, speed test results, and modem health metrics.



Connection Manager

Connection Manager provides the ability to manage all WAN connection types including wireless, Wi-Fi-as-WAN, and wired, from a single software-defined policy. Our proprietary modem software ensures users establish Wireless WAN connectivity faster while maintaining the highest level of resiliency.



Cloud Services

NetCloud Manager delivers zero-touch deployment with the ability to define and deliver policy across entire groups of endpoints. Users can gain insights and analytics required for rapid troubleshooting and diagnostic workflows. Location services provides last known map location and geofence alerting for loss prevention and physical security.

Hardware Specifications

The following features are delivered through the hardware.

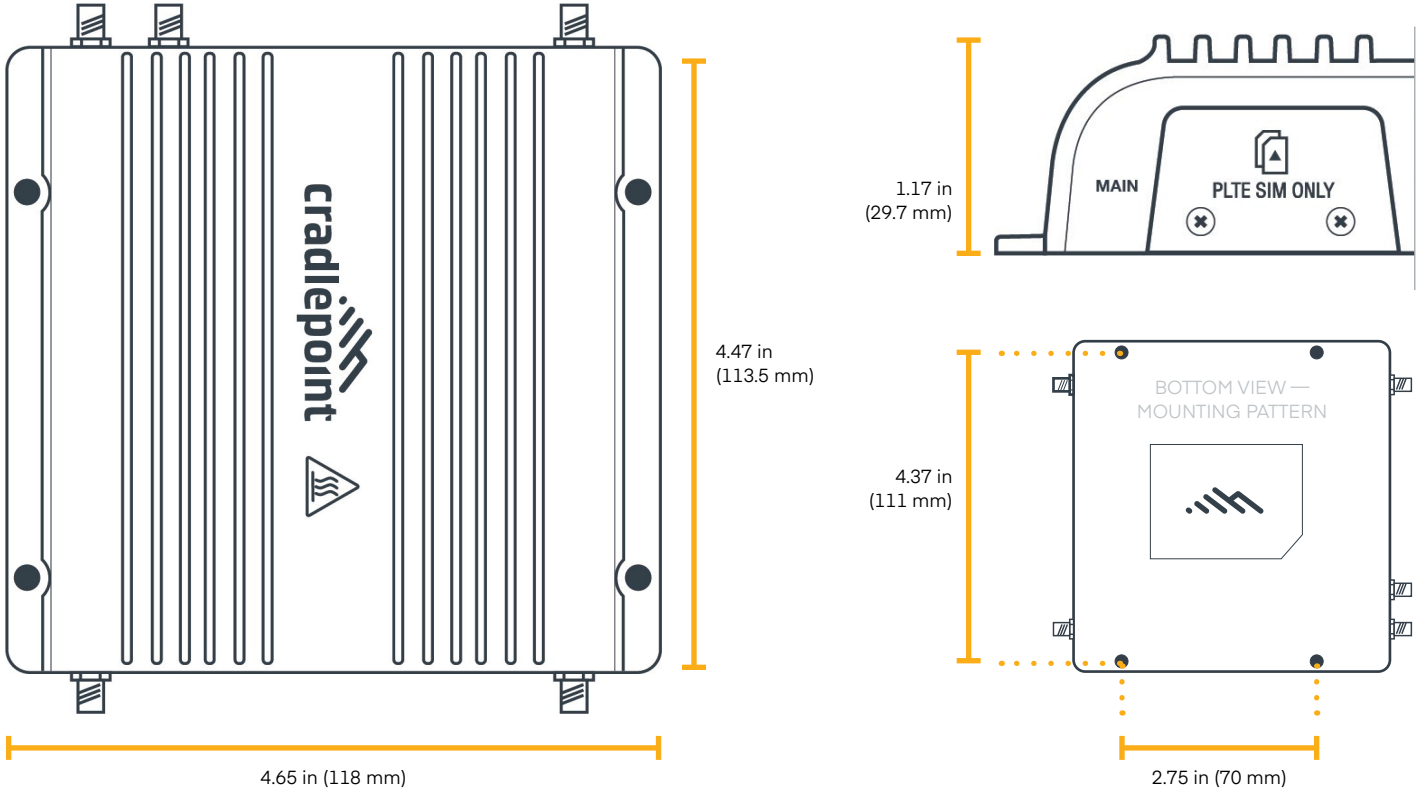
INTERFACES		POWER	
Modem:	Embedded Category 7 Advanced LTE modem <ul style="list-style-type: none"> — Dual SIM slots, mini 2FF form factor — 2 x SMA cellular antenna connectors Optional dual modem <ul style="list-style-type: none"> — MC400 Modular Modem with optional COR Extensibility Dock 	Power Required:	DC input steady state voltage range: 9–33 VDC (requires in-line fuse for vehicle installations) <ul style="list-style-type: none"> — For 9–24 VDC installations, use a 3 A fuse — For > 24 VDC installations, use a 2.5 A fuse Reverse polarity & transient voltage protection per ISO 7637-2 Ignition sensing (automatic ON & time-delay OFF) Power consumption: <ul style="list-style-type: none"> — Idle: 4W — LTE Tx/Tx: 6.25W — Wi-Fi Tx/Rx: 9W — 12 VDC / 2 A adapter recommended
Ethernet:	2 x GbE RJ45 (LAN/WAN switchable)		
Wi-Fi:	Dual-band, concurrent operation (2.4 GHz & 5 GHz) <ul style="list-style-type: none"> — 802.11 a/b/g/n/ac Wave 2 — 2x2 MIMO — Up to 256 QAM support — Two Wi-Fi antenna connectors (RP-SMA) 		
Expansion:	<ul style="list-style-type: none"> — USB 2.0 Type A (Output: 5V, 500mA, 2.5W) — GPIO 2-wire (combined with power cable) — COR Extensibility Port Optional: <ul style="list-style-type: none"> — COR Extensibility Dock — COR Extensibility 9-Wire GPIO Cable — COR Serial Cable Adapter 		
GNSS/GPS:	1 x SMA Active GNSS antenna connector		
ENVIRONMENTAL		PHYSICAL	
Temperature:	Operating <ul style="list-style-type: none"> — -20 °C to 60 °C (-4 °F to 140 °F) with included standard AC power supply Storage <ul style="list-style-type: none"> — -40 °C to 85 °C (-40 °F to 185 °F) 	Size:	4.6 x 4.5 x 1.2 in (118 x 113.5 x 29.3 mm)
Humidity (non-condensing):	Operating: 5% to 95% Storage: 5% to 95%	Weight:	14 oz (400 g)
		CERTIFICATIONS	
		Safety:	UL/CUL, CB Scheme, EN60950-1, EN 62368
		Materials:	WEEE, RoHS, REACH, California Prop 65
		Wi-Fi:	Wi-Fi Alliance <ul style="list-style-type: none"> — 802.11a/b/g/n/ac Wave 2 certified
		Other:	Shock/Vibration/Humidity: <ul style="list-style-type: none"> — MIL STD 810G — SAEJ1455
		WI-FI POWER:	
		FCC:	2402–2483.5 MHz: 33.2 dBm EIRP 5150–5250 MHz: 32.9 dBm EIRP 5725–5850 MHz: 32.8 dBm EIRP
		LEDs	
		Refer to the R500-PLTE Quick Start Guide	

Enterprise-Class Modem Specifications

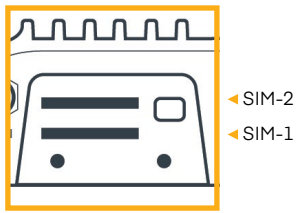
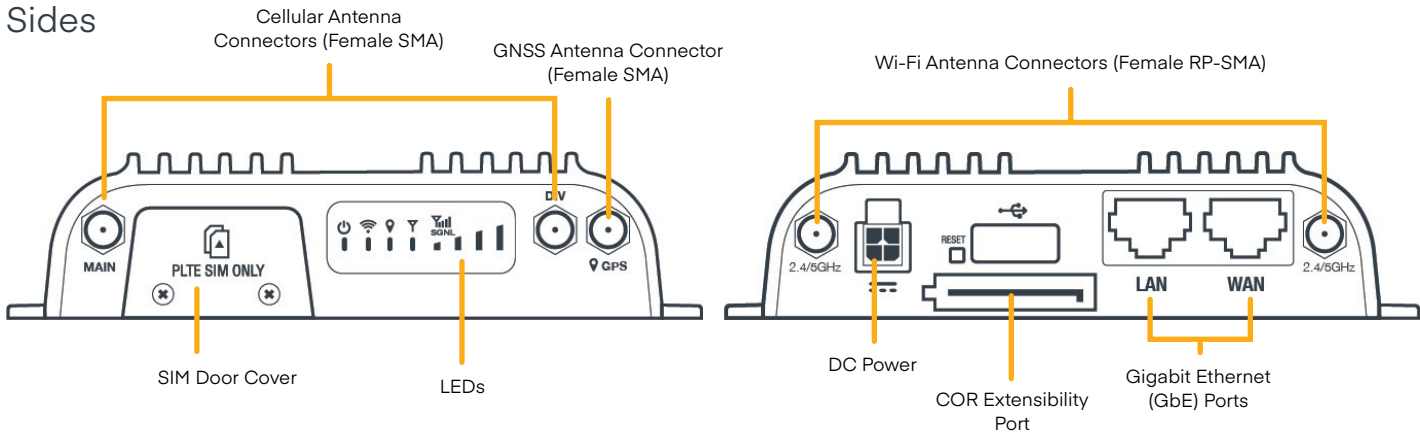
SPECIFICATION	R500-PLTE FOR IOT
Technology:	Cat 7 Advanced LTE (3GPP Rel. 12) <ul style="list-style-type: none"> — Dual SIM slots, mini 2FF form factor — Private LTE CBRS SIM cards only
Peak Downlink Rates:	300 Mbps
Peak Uplink Rates:	75 Mbps
MIMO:	2x2 MIMO
QAM:	Up to 64
LTE Bands:	LTE TDD <ul style="list-style-type: none"> — B42, B43, B48
Power:	LTE 23 dBm ± 1, DC-HSPA+ 23 dBm ± 1 (typical conducted)
Antennas:	SMA and RP-SMA male plugs, maximum torque not to exceed 4 in-lbs
GNSS/GPS:	Active GNSS <ul style="list-style-type: none"> — GPS, GLONASS, BeiDou, Galileo — DC voltage bias supplied (typical 3.1v)
Regulatory:	FCC Part 96
Private LTE:	Yes, includes FCC Part 96 (CBRS OnGo Band 48)

Hardware

Physical Measurements



Sides



Correct SIM: Mini SIM — 2FF

	Nano SIM (12.3 mm x 8.8 mm) 4FF		Micro SIM (15 mm x 12 mm) 3FF		Mini SIM (25 mm x 15 mm) 2FF
--	------------------------------------	--	----------------------------------	--	---------------------------------

Ordering Guide

NetCloud IoT Essentials packages and plans contain all the features and capabilities required for a broad range of IoT applications. Essentials Packages include 24x7 support (phone support: 24 hour weekdays with emergency response on weekends, web: 24x7, chat: 24x5) and a limited lifetime warranty.

For additional capabilities, a NetCloud IoT Advanced Plan can be added to the NetCloud IoT Essentials Package at any time.

See additional details of what is included in the Essentials and Advanced NetCloud software: cradlepoint.com/netcloud-service/

For more details on the R500-PLTE Router, included with the NetCloud IoT Packages, see below.

NetCloud Package and Plans

REGION	DESCRIPTION	PART NUMBER
United States:	NetCloud IoT Essentials for Private Cellular Networks	TD0x-0500C7C-NN
	NetCloud IoT Essentials and Advanced Packages for Private Cellular Networks	TDAx-0500C7C-NN
	NetCloud IoT Advanced Upgrade for Private Cellular Networks	TD0y-NCADV
Renewal:	NetCloud IoT Essentials for Private Cellular Networks	TD0y-NCESS-R
	NetCloud IoT Advanced Upgrade for Private Cellular Networks	TD0y-NCADV-R
	NetCloud IoT Essentials and Advanced Upgrade for Private Cellular Networks	TDAy-NCEA-R

x = 3 or 5 years

y = 1, 3, or 5 years

NetCloud Essentials packages and plans contain all the features and capabilities required for a broad range of IoT applications related to Private Cellular Networks. Essentials Packages include 24x7 support (phone support: 24 hour weekdays with emergency response on weekends, web: 24x7, chat: 24x5) and a limited lifetime warranty.

For additional capabilities, a **NetCloud Advanced** upgrade can be added to the NetCloud Essentials Package at any time. See additional details of what is included in the Essential and Advanced NetCloud software: <https://cradlepoint.com/products/iot/>

Accessories

INCLUDED	PART NUMBER
Power Supply for North America, 12V, 2x2, 2 m — Operating temperature: -20 °C to 60 °C (-4 °F to 140 °F)	170716-000
Antennas — Private-LTE Modem & Wi-Fi — Cellular Antenna, Black Mini, 600 MHz - 6 GHz, SMA, 140 mm (Qty. 2) — Wi-Fi Antenna, Charcoal, Dual-Band 2.4/5 GHz, RPSMA, 194 mm (Qty. 2)	170704-002 170836-000
OPTIONAL	PART NUMBER
LTE Modem with MC400 Modular Modem (North America) — MC400-1200M-B — MC400LP6	MA-MC400-1200 MC400LP6
2x2 Power to Barrel Adapter, 152 mm	170665-000
Power Supply, 12V, 5.5A, Extended Temperature (C8 line cord not included) — Operating temperature: -30 °C to 70 °C (-22 °F to 158 °F)	170648-001
Power Supply, Vehicle, 12V, 2x2, 2 m	170635-000
GPIO & Power Cable, 2x2, 3 m	170585-001
COR Extensibility Dock — Refer to the Cradlepoint MC400 Modular Modem webpage for more information about modular modems that work with this accessory.	170700-000
9-Wire Extensibility Port to GPIO Cable, 1.7 m — Operating temperature: -30 °C to 70 °C (-22 °F to 158 °F)	170680-001
COR Extensibility Port to Serial DB9 Cable, 305 mm	170767-000

Support & Warranty

The R500-PLTE router is only sold as components of NetCloud IoT Packages.

- NetCloud Packages include support for the full subscription term.
- All Cradlepoint hardware products are covered by a limited lifetime warranty for as long as they have a subscription license to an active NetCloud Service Plan.



909 Ridgebrook Road., Sparks, Maryland 21152, USA
 TEL : +1-410-583-1701 FAX : +1-410-583-1704
 E-mail: sales@pulsesupply.com
<https://www.pulsesupply.com/cradlepoint-iwr>