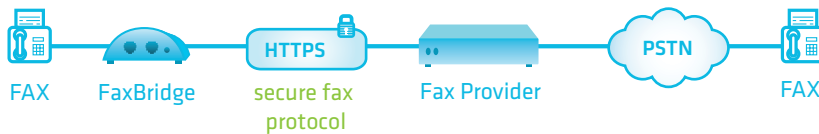


## Solution Overview

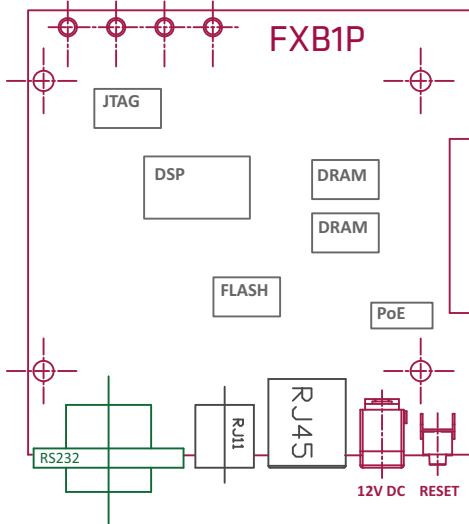
Organizations are consolidating voice, fax and data resources to cut costs and simplify their communications infrastructure. Voice over IP (VoIP) and Fax over IP (FoIP) are two technologies which have become critical to organizations as they create a unified strategy for voice and data communications. These technologies allow companies to reduce their total cost of ownership by eliminating telephony hardware and consolidating the management of voice, data and fax communications.

Because IP PBX's are software based and rely on voice optimized compression, many businesses have experienced high fax transmission failure rates, often greater than 40%. FaxBridge has been architected specifically to address these challenges to provide organizations with a robust and reliable complimentary fax solution. FaxBridge is also available from leading telco carriers and voice service providers.

Fax machines can be located anywhere and used as secure fax terminals when connected to FaxBridge devices. FaxBridge devices auto provision and do not require any remote software configuration.



## SCHEMATIC LAYOUT



Device has been tested certified and conforms to FCC and CE standards. All components are RoHS compliant.

The following tests have been performed on the device:

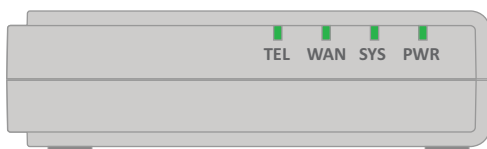
- Electrostatic Discharge Immunity
- RF Electronic Magnetic Field Immunity
- Electrical Fast Transient Burst
- Variable Surge Test Immunity
- Immunity to Conducted Disturbances
- Voltage Dips and Interruption Immunity

- Testing Standards:
- EN 55022: 2006
  - EN 55024: 1998+A1
  - EN 55024: 2001+A2
  - EN 55024: 2003
  - EN 60950-1: 2006

## Technical Specifications

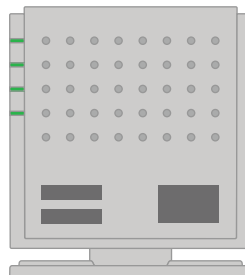
Physical Interfaces:	RJ45 with PoE RJ11 RS232 Power
Indicator Lights:	LAN Link Phone/Fax Line Power State System Status
Power Options:	12V DC External 12V DC Internal PoE via LAN Interface
Physical Operating Environment:	41 to 114 F 5 to 45 C 10 to 90 RH
Physical Dimensions:	3.5" x 3.5" x 0.9" (unit) 5.5" x 4.5" x 1.4" (box) 2.7 oz (raw weight)
Fax Protocol Support:	V.34, V.17, V.29, V.27, V.21 MH, MR, MMR ECM Capable
Operating System:	Embedded Linux 2.6+ Kernel 64 MB DRAM 8 MB Flash
Network Configuration:	DHCP Client Static IP Config 10/100 Fast Ethernet
Remote Provisioning:	Automatic via HTTPS Firmware Updatable
Device Identification:	Pre-Assigned UID Provisioned UID MAC Based UID
Remote Diagnostics:	Telnet, SSH HTTP, HTTPS TFTP, FTP, SysLog
Regulatory Information:	FCC, CE, RoHS

## FRONT VIEW



- TEL: FAX LINE STATUS
- WAN: ETHERNET ACTIVITY
- SYS: SYSTEM READY STATE
- PWR: DEVICE POWER STATE

## SIDE VIEW



## REAR VIEW



- TEL: FAX LINE INPUT (FXS)
- WAN: RJ45 ETHERNET (10/100)
- PWR: 12V DC POWER (500 mA)
- RSM: RS232 DIAGNOSTIC PORT